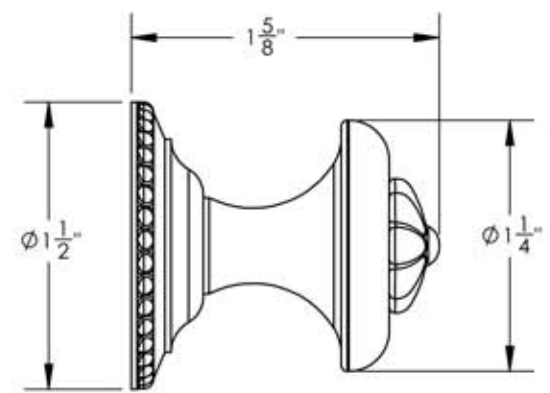
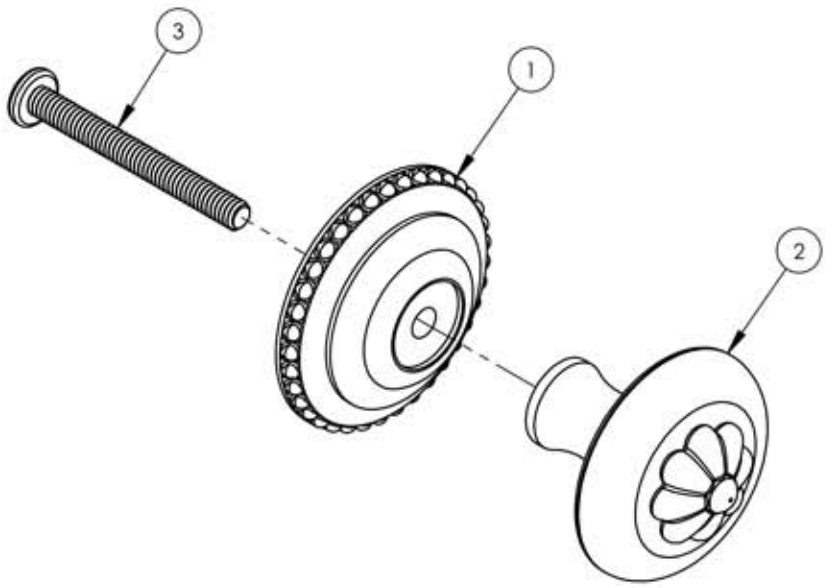


ITEM NO.	PART NUMBER	DESCRIPTION	QTY.
1	10452/00	ROSETTE, CABINET KNOB, MARVELLE	1
2	2-161/00	SUB ASSY. CABINET KNOB, MARVELLE	1
3	92094	SCREW, PAN HD 8-32 X 1.5"L	1



ALL	A	-ASSY. UPDATED WITH SUB ASSY'S	12/7/2015	GRE
ZONE	REV.	DESCRIPTION	DATE	APPROVED

REVISIONS				

1261 LOGAN AVENUE
COSTA MESA, CALIFORNIA 92626
PHONE: 714.361.4800
FAX: 714.617.3120

PHYLORICH®
Defining Luxury Since 1959

PROPRIETARY AND CONFIDENTIAL
THE INFORMATION CONTAINED IN THIS DRAWING IS THE SOLE PROPERTY OF RISS MANUFACTURING. ANY REPRODUCTION IN PART OR AS A WHOLE WITHOUT THE WRITTEN PERMISSION OF RISS MANUFACTURING IS PROHIBITED.

NEXT ASSY	USED ON
APPLICATION	
MATERIAL	
FINISH	
DO NOT SCALE DRAWING	

INTERPRET GEOMETRIC DIMENSIONING & TOLERANCING IN ACCORDANCE WITH ASME Y14.5-2009 & ASME Y14.41-2003 STANDARDS, UNLESS OTHERWISE SPECIFIED. DIMENSIONS ARE IN INCHES. TOLERANCES ARE:		
FRACTIONS ±1/64"	DECIMALS X.X: ±.1 X.XX: ±.01 X.XXX: ±.005	ANGULAR ±.5°
NAME	DATE	
DRAWN	LLO	10/20/2015
CHECKED	GRE	

CABINET KNOB, MARVELLE SERIES		
SIZE	ASM/PRT NO.	REV
A	162-90/00	A
SCALE: 1:1	WEIGHT: lbs.	SHEET 1 OF 1